

1411

1412

1413



# Prima XL

## 3200/5000/6000

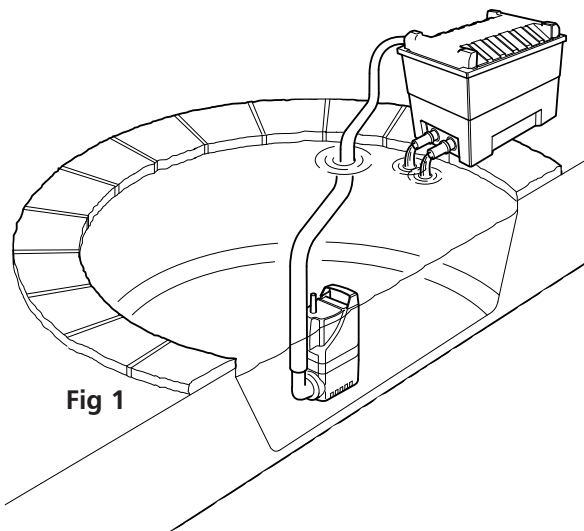


Fig 1

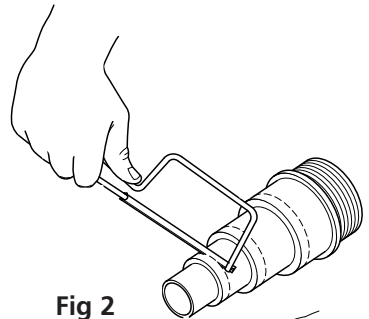


Fig 2

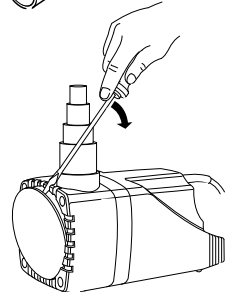


Fig 3

### Prima XL 3200, 5000, 6000

#### INSTALLATION AND OPERATING INSTRUCTIONS

**READ INSTRUCTIONS CAREFULLY BEFORE ATTEMPTING INSTALLATION**

Hozelock Cyprio Prima XL Pumps are electrically operated and designed for pumping clean water or water containing solids up to 8mm and are specially developed for garden pond filtration. All electrical components are sealed and isolated from the water.

#### WARNING: SAFETY AND ELECTRICAL CONNECTIONS

1. The pump is supplied complete with 10m of 3-core electric cable, which is

connected and sealed to the motor. Under no circumstances should any repair be made to the cable.

**THIS PRODUCT IS DESIGNED TO BE PERMANENTLY WIRED TO THE MAINS SUPPLY IN A DRY WEATHERPROOF ENCLOSURE THROUGH A DOUBLE-POLE SWITCHED FIXED SPUR (DISCONNECTOR) TO BS 3676 - FITTED WITH A 3 AMP FUSE.**

2. If an extension cable is required, this should be connected to the end of the pump cable using a weather-proof cable connector. The joint must be positioned outside the pond in a suitable waterproof enclosure.

The extension cable should be of 3-core, 0.75mm Polychloroprene rubber insulated cable (ref HO5 RN-F) and connected to the supply with a 3 amp

fuse. IT IS ESSENTIAL THAT THE PUMP IS CORRECTLY EARTHED AND THAT ALL CONNECTIONS ARE SECURELY MADE USING THE FOLLOWING CODE.



The BROWN lead should be connected to the LIVE terminal, which may be marked with an 'L' or coloured brown or red.

The BLUE lead should be connected to the NEUTRAL terminal, which may be marked with an 'N' or coloured blue or black.

The GREEN / YELLOW lead should be connected to the EARTH terminal, which may be marked with an 'E' or coloured green or green / yellow.

- The pump cable (and extension cable), should be positioned and adequately protected against damage especially where contact with garden equipment (lawn mowers, forks, etc.), children and domestic animals may occur.
- A 10mA or 30mA Residual Current Device (RCD) MUST be fitted to the mains supply of the pump only.**
- For permanent installations to the mains supply, it is necessary to conform to the regulations of the local electricity authority which would include the use of plastic or metal conduit to protect the cable.
- The supply cable fitted to this pump can only be replaced using special tools. In the event of the cable becoming damaged return to Hozelock Cyprio Consumer services at the address shown.
- CONSULT A QUALIFIED ELECTRICIAN OR LOCAL ELECTRICITY AUTHORITY, IF IN ANY DOUBT ABOUT WIRING TO THE MAINS SUPPLY.**

### IMPORTANT

- ALWAYS DISCONNECT THE MAINS ELECTRICITY SUPPLY WHILST THE EQUIPMENT IS BEING INSTALLED, REPAIRED, MAINTAINED OR HANDLED.
- Do not use the supply cable to lift the pump, as this may cause damage.
- Do not operate or leave the pump in freezing conditions.
- Do not allow the pump to run in dry conditions.
- Check that the voltage marked on the pump identification label corresponds to the Mains Supply.
- We recommend looping a lifting cord through the pump handle when the pump is installed in deep water.
- This pump is for use in fresh water only.

### INSTALLATION

Refer to Fig 1.

- The pumps are manufactured with anti-corrosive materials, designed for continuous operation and the motor is provided with a built in overload protector.
- The pumps are supplied with the following hose connectors :
  - Straight multi-hose adapter for hoses 1 1/2" (40mm) , 1 1/4" (32mm) , 1" (25mm) , 3/4" (20mm).The adapter should be cut off to the required hose diameter (see fig 2) and screwed

hand tight into the outlet of the pump.

- Swivel elbow for hoses 1" (25mm) for Prima XL3200, 1 1/4" (32mm) for Prima XL 5000 and 6000. This adapter has an 'O' seal and should be screwed in fully, then unscrewed up to one complete turn to allow for hose entry at the desired angle.

It should be noted that using hose diameters smaller than 1" (25mm) for XL3200 and 1 1/4" (32mm) for XL5000/6000 will reduce the maximum flow from the pumps.

- Ideally, the pump should be positioned at the opposite end of the pond from the filter, to ensure good water circulation.
- Connect the hose between the pump and filter unit ensuring connections are tight by using suitable hose clips.
- Place the pump in a vertical or horizontal position on a flat surface at the bottom of the pond. Care should be taken not to seat the intake of the pump directly into mud or pond debris as this may cause the strainer to initially block.
- Switch on the pump, water should start to flow through the filter. Check all joints for leaks.

### MAINTENANCE

**Warning: Switch off and isolate the pump from the mains supply before carrying out any maintenance work.**

- Check the pump installation regularly to ensure the base inlet is clear of debris and that water is flowing unrestricted.
- Occasionally it may be necessary to clean the water intake chamber. Prise off the bottom plate (fig 3). Thoroughly flush the inner cavity and impeller with clean water and replace the base moulding by pressing the pegs into the four retention bosses.
- THERMAL PROTECTION** - The pump is fitted with automatic thermal overload protection which, in case of overheating, switches off the pump. If this occurs switch off the power at the mains supply to the pump and check for the cause. In most cases, this will be due to debris blocking the inlets of the pump or obstructing the impeller. Remove the obstruction and allow approximately 30 minutes for the pump to cool down and automatically reset before switching the pump back on.
- The pump will not require any

maintenance other than regular cleaning.

### HOZELOCK CYPRIO 2 YEAR GUARANTEE

**Refer also to Registration Card enclosed in the packaging.**

If this pump becomes unserviceable within 2 years of the date of purchase it will be repaired or replaced at our option - free of charge, unless in our opinion it has been damaged or misused.

Liability is not accepted for damage due to accident, improper installation or misuse. Liability is limited to the replacement of a faulty pump.

This guarantee is not transferable. It does not affect your statutory rights.

To obtain the benefits of this guarantee, firstly contact Hozelock Cyprio Consumer Services who may request that the pump is sent along with proof of purchase direct to the address below.

**DAMAGE CAUSED BY RUNNING THE PUMP DRY OR BY FROST INVALIDATES THE GUARANTEE.**

Helpline: Tel (01844) 292002



Certificate Number FM 2\*705



**Hozelock Cyprio**  
Haddenham, Aylesbury,  
Bucks. HP17 8JD. England.  
Tel: +44 (0)1844 292002  
Fax: +44 (0)1844 291820  
www.hozelockcyprio.com  
watergardening@hozelock.com

The Aquatics Division of Hozelock Group PLC  
45426-000

**TROUBLE SHOOTING - Warning: Switch off the pump from the mains supply.**

Problem	Cause	Remedy
Pump does not start.	No mains power.	Check RCD Trip switch. Check switch box Fuse. Check electrical connections.
Pump stops running.	The thermal overload protection in pump has activated. Water temperature exceeds 35°C.  The pump ran dry.	Clean water intake area. Allow pump to cool for approximately 30 minutes. Maximum water temperature must not exceed 35°C. Reposition pump to always ensure pump is fully submerged.
Pump runs but does not deliver water.	Inlet or outlet blocked  Water level too low.	Check complete system for blockage starting with pump. Reposition pump to always ensure pump is fully submerged.