



# Ultra Bright LED Pond & Garden Lights

INSTALLATION AND OPERATING INSTRUCTIONS.  
READ INSTRUCTIONS CAREFULLY BEFORE ATTEMPTING INSTALLATION.

**GB**

## GENERAL

This Garden Lighting System is simple to install providing you follow the steps below carefully.

## IMPORTANT

- ALWAYS DISCONNECT THE MAINS SUPPLY WHILST THE EQUIPMENT IS BEING INSTALLED, REPAIRED, MAINTAINED OR HANDLED.**
- Position the transformer in a garage or shed close to the mains voltage supply. The transformer is not waterproof and must be kept dry and under cover – allowing for sufficient air circulation.  
Do not position the transformer in direct sunlight e.g. greenhouses, window sills, etc. as high temperatures may cause overheating.
- Only connect the lights to the transformer provided. **ON NO ACCOUNT MUST THE LIGHTS BE CONNECTED DIRECTLY TO THE MAINS SUPPLY.**
- Check that the voltage marked on the transformer corresponds to the mains supply.
- Consult a qualified electrician or local electricity authority if in any doubt about wiring to the mains supply.

## LIGHT INSTALLATION

- Unpack box contents.
- Each light is supplied with a flying lead. **IN POND**  
Simply position in the pond, ensuring the connector is clear of the water.  
These lights may be used either floating or submerged. Place a rock or other suitable heavy object on the flying lead to anchor the light into position. Take care not to damage the lead or pond lining.  
Alternatively, the lights can be mounted on the pump as shown in Figure 6.

**NOTE:** If the lights are required to float, then it will be necessary to remove the weights in each lamp. To do this, unclip the rear cover of the lamp and remove.

### GROUND SPIKE

The lights can be positioned in the

Parts List	
A. Mounting Bracket	Z35045
B. Adjusting Screw	Z35065
C. Ballast Weight	Z35085
D. Single Lamp	Z35086
E. Ground Spike	Z34125
Transformer	Z35087

ground outside the pond using the ground spikes provided. Simply attach the spike (E) to the lights using the adjusting screw (see Fig.2) and push into the ground at the desired location.

### WALL BRACKETS

The lights can be positioned on a wall or fence outside the pond using the wall bracket provided. simply attach the bracket (A) to the light using the adjusting screw and locate on the desired surface with screws through the holes provided (See Fig.3).

- Position the lights at the desired locations.
- Starting from the intended transformer position, uncoil and route the black low voltage cable to pass close to the light position.  
**NOTE:** The cable has different connectors at each end. Ensure the correct end starts from the transformer (see Fig.4).
- Connect the lamps to the low voltage cable in the following manner (see Fig. 5).
  - Lay the cable flat over the two metal spikes in the snap connector body and press down firmly.
  - Assemble the top half of the connector into the pivot slots and press until the two parts snap together.

## TRANSFORMER INSTALLATION

Connect the low voltage cable to the transformer as follows (Fig. 4).

- Connect the low voltage cable to the transformer by plugging the low voltage connector into the matching plug on the end of the cable.

- Plug the transformer into the socket. Take care to position the cable so that it will not place un-necessary pulling load on transformer by leaving the flying lead with slack cable.

**NOTE:** This transformer is protected by a single-shot thermal fuse. If this device operates, the lights will stop working and the transformer will have to be replaced. This will only occur if the transformer overheats. This can be caused by exposure to direct sunlight. Ensure that the transformer operates in a shaded area.

## FAULT FINDING

### ALWAYS ISOLATE ELECTRICITY SUPPLY

- If one or more lights are lit check all the cable connections.
- If no lights are lit, check the transformer is wired in correctly and switched on, and that all fuses in the system are intact.

## LED REPLACEMENT

Individual LEDs cannot be replaced but replacement lights are available. Please contact Customer Services on the number below.

## EXTENDING YOUR SYSTEM CABLE

If you wish to add more low voltage cable you can purchase this in 7.5m or 15m lengths from good garden centres or direct from Hozelock Cyprio, Customer Services.

In order to avoid excessive voltage drops and loss of lamp brilliance you should not include more than an additional 15m of low voltage cable to that supplied in the 3 lamp set.

The cable is supplied with connectors attached for simple push connection.

Only use Hozelock low voltage cable, **DO NOT** attempt to join any other than Hozelock low voltage cable to the system.

### LENSES

Coloured lenses are supplied that can be easily interchanged on these lights (See Fig.7). Simply place the coloured lens over the clear lens of the light and snap into place so that the rim of the coloured lens is between the light bezel (Fig.7 - F), and the light lens. To remove the lens carefully lever

it out using a screwdriver in the slots on the edge of the lens (Fig.8 - G).

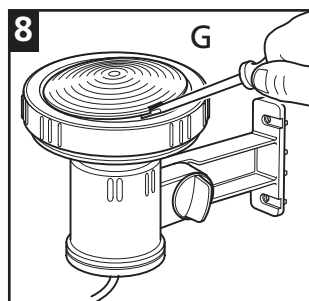
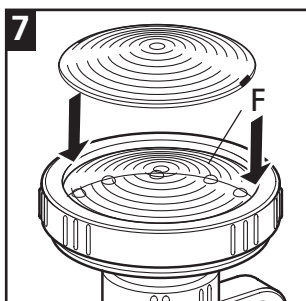
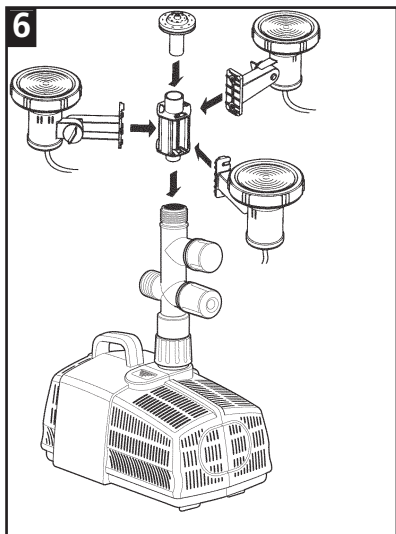
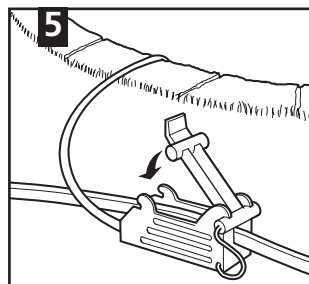
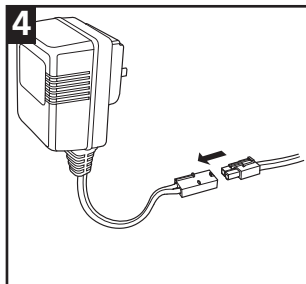
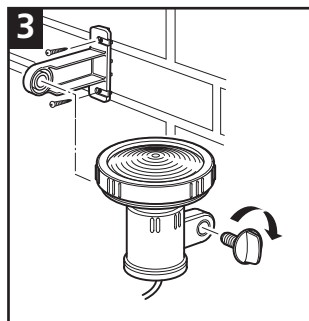
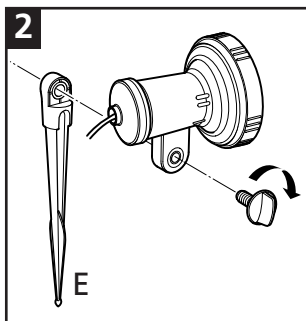
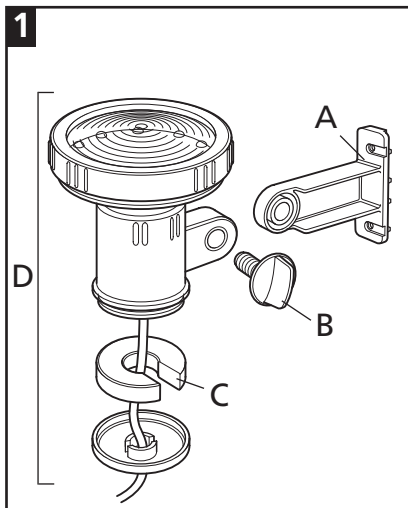
## SPARE PARTS

Contact Hozelock Cyprio, Customer Services Department.

## 2 YEAR GUARANTEE

If this product becomes unserviceable within 2 years of the date of purchase it will be repaired or replaced at Hozelock Cyprio's option – free of charge, unless in Hozelock Cyprio's opinion it has been damaged or misused. To obtain the benefits

of this guarantee send the product along with proof of purchase direct to Hozelock Cyprio, Customer Services Department.



Hozelock Cyprio  
Midpoint Park  
Birmingham  
B76 1AB  
England  
Tel: 0870 850 1959  
[www.hozelock.com](http://www.hozelock.com)

The Aquatics Division of Hozelock Group

33718-000

