



Indoor Water Feature Pump 450i

INSTALLATION AND OPERATING INSTRUCTIONS. READ INSTRUCTIONS CAREFULLY BEFORE ATTEMPTING INSTALLATION.
KEEP THESE INSTRUCTIONS FOR FUTURE REFERENCE

This Hozelock Cyprio indoor water feature pump 450i is designed for submersible use indoors only. The pump does not use oil or grease for lubrication and can be used safely in water features containing fish or plants. The motor consists of a sealed stator and water-cooled permanent magnet rotor. All electrical components are isolated from the water.

IMPORTANT

- WARNING: ALWAYS UNPLUG OR DISCONNECT ALL APPLIANCES IN THE WATER FEATURE FROM THE ELECTRICITY SUPPLY BEFORE PUTTING YOUR HANDS IN THE WATER WHILST EQUIPMENT IS BEING INSTALLED, REPAIRED, MAINTAINED OR HANDLED.**
- Do not use the supply cable to lift the pump, as this may cause damage. We recommend fitting a lifting cord when the pump is installed in deep water.
- Do not operate or leave the pump in freezing conditions.
- Do not allow the pump to run dry.
- Check that the voltage marked on the pump corresponds to the mains supply.
- A 10MA OR 30 MA RESIDUAL CURRENT DEVICE MUST BE FITTED TO THE MAINS SUPPLY.**
- DO NOT OPERATE THIS PUMP WITHOUT THE STRAINER CAGE ATTACHED. USING THE PUMP WITHOUT A STRAINER MAY INVALIDATE YOUR WARRANTY.**

From 1st January 2005 installing this product in the garden is classed as 'notifiable' in the revised Building Regulations for England and Wales. The Regulations now require you to tell your local authority building control department that you intend to install this product before installation. Your local authority will let you know how you can get your installation approved.

WARNING: SAFETY AND ELECTRICAL CONNECTIONS.

The pump is supplied with 1.5m of 3 core electric cable which is permanently connected and sealed to the motor.

The supply cable cannot be replaced. If the cable is damaged, the pump should be discarded.

The plug supplied with this unit is not waterproof and must be housed in a dry weatherproof enclosure. The plug must be fitted with a 3 or 5 amp fuse.

2. A 10MA OR 30MA RESIDUAL

CURRENT DEVICE (RCD) MUST BE FITTED TO THE MAINS SUPPLY.

- WARNING: THIS APPLIANCE MUST BE EARTHED AND IT IS ESSENTIAL THAT THE CONNECTIONS ARE MADE USING THE FOLLOWING CODE;**



The BROWN lead should be connected to the LIVE terminal which may be marked with an 'L' or coloured brown or red. The BLUE lead should be connected to the NEUTRAL terminal which may be marked with an 'N' or coloured blue or black. The GREEN/YELLOW lead should be connected to the EARTH terminal which may be marked with an 'E' or coloured green or green/yellow.

- CONSULT A QUALIFIED ELECTRICIAN OR LOCAL AUTHORITY IF IN ANY DOUBT ABOUT WIRING TO THE MAINS SUPPLY.

PUMP INSTALLATION.

Position

Position the pump inside the water feature ensuring that it is fully submerged in water at all times whilst the pump is running.

The connection to the outlet of the pump can be made with 12.5mm (1/2") bore hose by using the hose adaptor. See Fig 1 (A).

Flow Control

The flow from the pump can be regulated to meet your needs by rotating the flow controller on the front of the pump. See Fig 1 (B).

Base Fixing.

Slide off the rear cover/base. Fix the base using the holes provided. Slide the motor onto the rear cover/base. See Fig 1 (C).

MAINTENANCE.

The Hozelock Cyprio range of pumps has been designed to allow fast and easy maintenance. As with all pumps of its kind, occasionally it will become necessary to clean the Strainer Cage.

ALWAYS UNPLUG OR DISCONNECT ALL APPLIANCES IN THE POND FROM THE ELECTRICITY SUPPLY BEFORE PUTTING YOUR HANDS IN THE WATER OR STARTING MAINTENANCE.

Strainer.

- Remove the strainer from the front of the

pump by gently pulling it.
2. Rinse the strainer with clean water and then re-fit it.

Rotor Assembly.

- Remove the Strainer Cage as described above.
- Release the Chamber Front Plate by unsnapping it from the motor body. See Fig 2 (D).
- Pull the Rotor Assembly out of the Motor Body. See Fig 2 (E).
- Wash out all of the components in clean water. Do not use detergents or other chemical cleaners.
- Replace the Rotor Assembly into the Motor Body and refit the Pump Chamber and Strainer Cage.

ALL YEAR PUMP CARE.

A quick daily check should be carried out to ensure that the pump is performing satisfactorily.

Once a week- Remove and clean the Strainer Cage in accordance with the maintenance notes. Depending on water conditions, cleaning may be required more frequently.
Once a year- Completely disassemble the pump including the Rotor Assembly as described in the maintenance notes and wash all components in clean, fresh water. Replace worn or broken parts.

HOZELOCK CYPRIO 3 YEAR GUARANTEE.

If this pump, excluding the Rotor Assembly, becomes unserviceable within 3 years of the date of purchase it will be repaired or replaced at our option free of charge, unless in our opinion it has been damaged or misused.

Liability is not accepted for damage due to accident, improper installation or use. Liability is limited to replacement of a faulty pump. This guarantee is not transferable. It does not affect your statutory rights.

To obtain the benefits of the guarantee, firstly contact Hozelock Cyprio Consumer Services who may request that the pump is sent along with proof of purchase directly to the address below.

DAMAGE CAUSED BY RUNNING THE PUMP DRY OR BY FROST INVALIDATES THE GUARANTEE.

FAULT FINDING

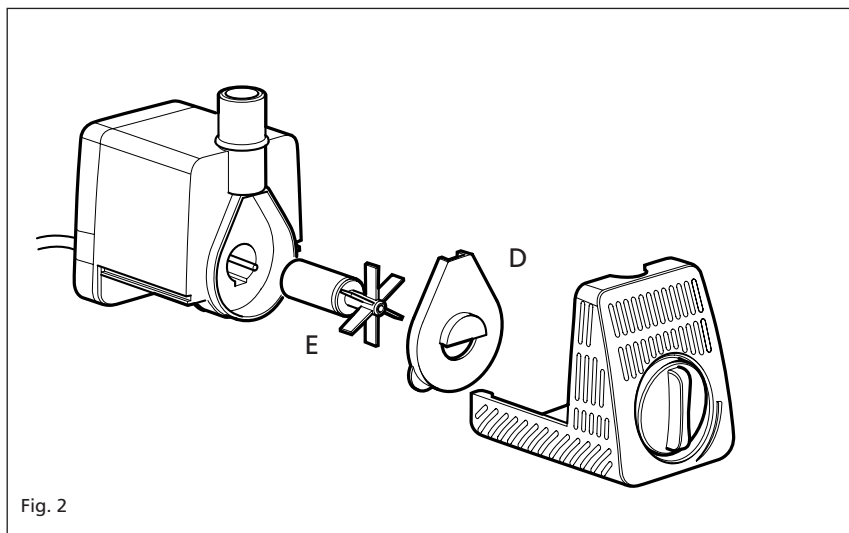
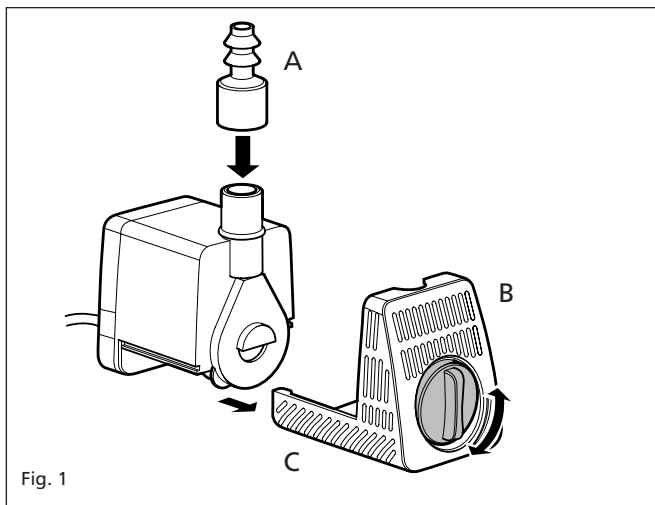
WARNING: ALWAYS UNPLUG OR DISCONNECT ALL APPLIANCES IN THE WATER FEATURE FROM THE ELECTRICITY SUPPLY BEFORE PUTTING YOUR HANDS IN THE WATER WHILST EQUIPMENT IS BEING INSTALLED, REPAIRED, MAINTAINED OR HANDLED.
IMPORTANT - PLEASE KEEP THIS SECTION FOR REFERENCE

LOW FLOW FROM PUMP

1. Ensure strainer is clean.
2. A small diameter outlet pipe will restrict outlet flow
3. Clear any blockages and adjust flow controls

NO FLOW FROM PUMP

1. Check power supply is on.
2. Check fuse and wiring.
3. Check the Rotor Assembly is not jammed, damaged or showing signs of excessive wear.
4. Ensure the Strainer Cage is clean.



Hozelock Cyprio
Haddenham, Aylesbury, Bucks. HP17 8JD.
England.
Tel: +44 (0)1844 292002 Fax: +44 (0)1844 291820
www.hozelock.com

The Aquatics Division of Hozelock Group

33356-000